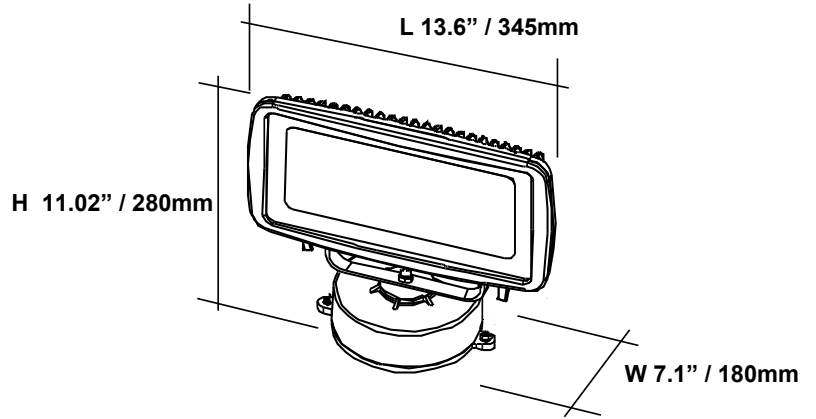


AGENT:
 PROJECT:
 TYPE:
 QUANTITY:
 Rev: 1110 Copyright © 2010 Impact Lighting Inc.

IMPACT LIGHTING INC. WALL WASHER - WHITE

IP65



DESCRIPTION

Impact's WALL WASHER is an energy efficient white LED based wall wash fixture incorporating 36 - 1 watt power white LED's with options for 10 degree or 30 degree beam spreads. With an Aluminum Die Cast housing and heat treated glass aperture Impact's Wall Wash is rated IP65 for indoor or outdoor use.

SPECIFICATIONS

Color Temperature: Warm White or Neutral White
Construction: Die Cast Powder Coated Aluminum Heat Treated Glass
Lumen Output: pending
Lamp Life: 50,000 Hours
LEDs: 36 - 1 watt LEDs
Optics: 10 Degrees / 30 Degrees
Light Projection Distance: 50-65 Ft / 15-20m
Voltage: 120 - 220VAC 50/60 Hz
Operating Current: .33Amps@120V / .17Amps@240V
Power Consumption: LEDs - 36 watts / Max Power 40 watts
Control System: Standalone or DMX Controller - sold separately
Weight: 10.2 Lbs /4.6 Kg
Dimensions: L13.6" H 11.02" W 7.1" (345x280x280mm)
Operational Environment: -4F to 104F (-20C to 40C)
 10-90% Humidity
Listings: ETL / CE
Ratings: IP65



ORDERING LOGIC

MODEL	BEAM SPREAD	COLOR TEMPERATURE
IL-WW-36-WW		
IL-WW-36 High Output Wall Washer	10 - 10 degrees 30 - 30 degrees	WW- Warm White NW- Neutral White

Notes: 100-240VAC 50-60Hz switchable power supply is standard Finish: Silver Powder Coat is standard