

LED MINI2™ SERIES

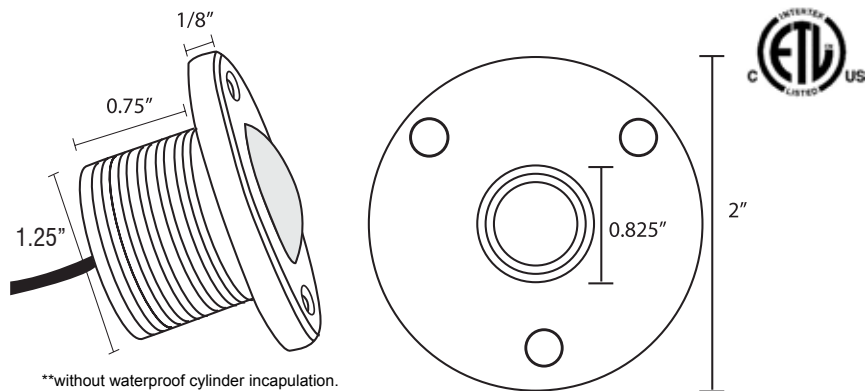
THE LED MINI2™ 10 WATT SERIES - IP68

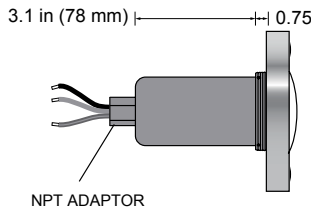
The LED Mini is a marker light featuring a luminous surface with uniform brightness. A 1,3, and 10 W version are available, suitable for directional applications requiring a beam of light. Constructed from 316 marine grade stainless steel, the luminaire features a polished finish for enhanced appearance and corrosion protection.

APPLICATION: General Lighting, outdoor lighting, Indirect Accent Decor Lighting, Cabinet Lighting, Stair Lighting, Floor Lighting, Commercial Lighting Applications, Restaurant Lighting and Home Theater Lighting.

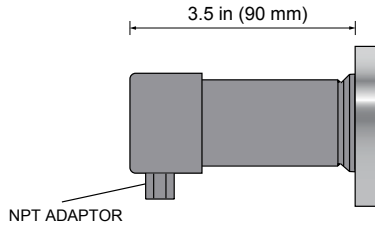


94

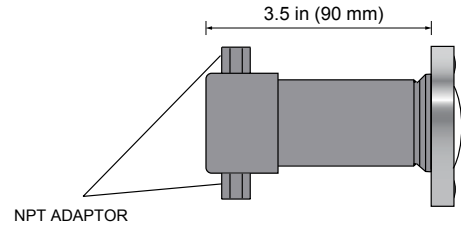




IL-MINI- xxx-xx- 01- xx
0.5 inch NPT for 0.5 inch conduit installation
c/w hook-up wire 6.5 ft (2.0 m)



IL-MINI- xxx-xx- 01- xx
Complete with pre-installation single conduit
entry (concrete and drive-over) with 0.5 inch NPT adaptor
c/w 1.0 ft (0.3 m) hook-up wire - consult factory for
multiple conduit entry options



IL-MINI- xxx-xx- 01- xx
Complete with pre-installation double conduit entry
(concrete and drive-over) with 0.5 inch NPT adaptor c/w 1.0 ft
(0.3 m) hook-up wire

WHITE (WW/CW) SPECIFICATIONS

Color Temperature: Cool White 5500
Warm White 3100
Construction: 316 Marine Grade Stainless Steel
Lamp Life: 50,000 Hours
Optics: 700mA CW-680 / WW - 500 /
Unit - lm
Dominate Wavelength: CW - 680 / WW - 556 / Unit - lm
Forward Voltage @700mA: CW -14.0 / WW - 16.64 / Unit - V
Operating Current: 700mA / Constant current
Power: 10 watts, 3 watts and 1 watts
Control System: Standalone
Weight: **0.07lbs (0.03kg)

Dimensions: L1" H 1" R2"
Operational Environment: -40°C - 150°C
Listings: ETL - Suitable for wet areas
Ratings: IP68
Warranty: 1 Year
Installation Types:
1. Pre-Installation
Concrete pour, drive-over etc.
2. Direct Burial
Landscapes, planters, etc.

RGB SPECIFICATIONS

Color Temperature: Color Changing RGB
Construction: 316 Marine Grade Stainless Steel
Lamp Life: 50,000 Hours
Optics: 700mA Red - 87 /Green - 120
Blue - 32 / Unit - lm
Wavelength: Red - 625 /Green - 523 / Blue - 460
Operating Current: 700mA / Constant current
Power: 10 watts, 3 watts and 1 watts
Control System: Standalone or DMX Controller
Weight: 0.07lbs (0.03kg)
Dimensions: L1" H 1" R2"

Operational Environment: -40°C - 150°C
Listings: ETL - Suitable for wet areas
Ratings: IP68
Warranty: 1 Year
Installation Types:
1. Pre-Installation
Concrete pour, drive-over etc.
2. Direct Burial
Landscapes, planters, etc.

ORDER INFORMATION

MODEL	WATTAGE	COLOR	FINISH	BEAM	WIRE	VOLTAGE	VERSION	FASTENER
IL-MINI2 Impact Lighting Inc. LED Mini	1W 3W 10W	CW - Cool White WW - Warm White RGB - Color Changing	SS - Stainless Steel B - Brass PCB - Powder Coated Black PCW - Powder Coated White PCS - Powder Coated Silver CC - Custom Color	14° 25° 30° 40°	01 - Single conduit entry 0.5" NPT c/w 6.5ft. (2.0)m hook-up wire	*120 V 60 Hz 12 V 60 Hz 12 - 24 V DC	Burial - Diffused lens Blockout - Clear lens	W - With WO - Without T - Pivot Tool
						*Integral optional		