

# Elegance Meets Power

*When form and function come together in perfect harmony you can feel it. You have just designed a beautiful pool or water feature; make sure your lights are designed to enhance the experience.*

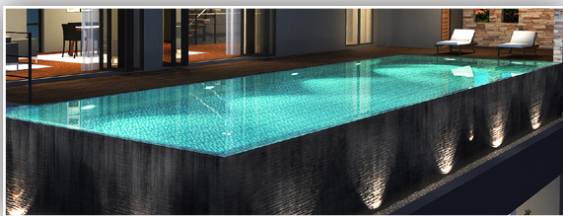


**UX-50-1023**  
**Stainless Steel Pool**  
**Light Fixture**  
*(actual size)*



The **UX-50-1023** Stainless Steel LED Underwater Light is designed and engineered for pools and spas. It features a rugged 316 stainless steel housing with a 10mm thick Borofloat glass lens over a powerful 10W CREE high lumen output, high efficiency LED. Optional RGBW, cool white, neutral white or warm white LED. Four beam angle are also available to help tune the light. The threaded flange fits 1.5" F.I.P. or standard 1023 pool fittings.

When lights matter, look to Impact to lead the way.



- ▶ No visible LED Spots
- ▶ IP68
- ▶ 316 Stainless Steel
- ▶ Optional Beam Angles
- ▶ 10mm Tempered Glass Lens
- ▶ 10W CREE LED
- ▶ 4 LED Color Options
- ▶ High Efficiency

## IMPACT LIGHTING

3100 Pennington Road, Orlando, Florida 32805 USA • Phone: 1.800.507.5714 • Email: sales@impact-lighting.com

[www.impact-lighting.com](http://www.impact-lighting.com)

**IP 68 UNDERWATER LED STAINLESS STEEL LIGHT FIXTURE**



**UX-50-1023**  
Threaded Flange  
for 1.5" F.I.P.



**DESCRIPTION:**

The UX-50 Stainless Steel LED Underwater Fixture has a variety of uses. With an IP68 rating this line is designed and engineered for outdoor and underwater use. This compact fixture is a powerhouse with a range of 45 to 90+ lumens per Watt.

A rugged 316 stainless steel fixture with a 10mm thick tempered glass lens covers a powerful 10W CREE high lumen output, high efficiency LED. Available in warm white, neutral white, cool white and RGB+W configurations.

The **UX-50-1023** fits SP1023 and 1.5" F.I.P. for pools and spas.

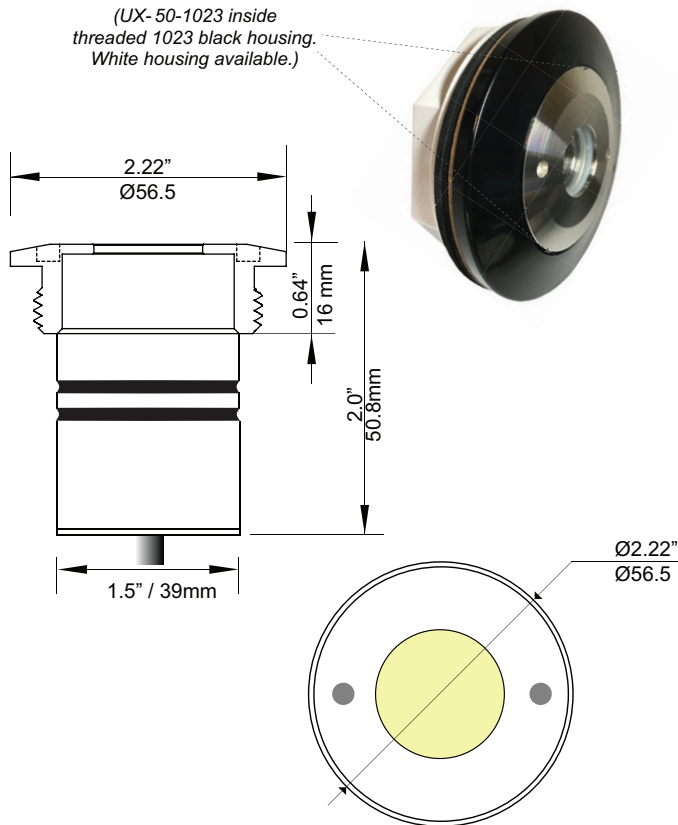
**FEATURES:**

- No Visible LED Spots
- IP68
- 316 Stainless Steel
- 10mm tempered glass lens
- 10W CREE LED
- 4 LED color option

**SPECIFICATIONS**

Material	316 Stainless Steel
Cover	Tempered Glass (T=10mm)
IP Rating	IP68
Typical Power Consumption	10W
Input Voltage	12VDC Constant Current 350mA/700mA
Control	DMX512 / ON/ OFF
DMX Channel	4CHS (RGBW) @ DMX512 Control
Light Source	CREE
LED Chip Range	XP-E/XM-L High Lumen Output, High Efficacy
LED Quantity	1PCS
Color/CCT	3000K / 4000K / 6500K / RGBW
CRI	Ra ≥ 80
Lifespan	50,000 hrs.
Beam Angle	10°, 25°, 38°
Product Size	Ø2"x 1.5" x 1.9"h Ø50mm 39mm 49mm
Weight	0.9LBS / 0.41KG
Environment Parameter	Work Temperature -25°~45°
Storage Humidity	0~90°

\* 12VDC Requires Constant Current Driver



**PHOTOMETRICS**

LED	TYPICAL LIGHT EFFICIENCY
3000K	>55LM/W
4000K	>65LM/W
6000K	>90LM/W
RGBW	>45LM/W

**ORDERING**

MODEL	LED	BEAM ANGLE	CORD LENGTH	CONTROLLERS	ACCESSORIES
<b>UX-50-1023</b>	-	-	-	-	
<b>12VDC - 10W LED Pool Light</b> With Threaded Flange for 1.5" F.I.P	<b>WW</b> - 3000K <b>NW</b> - 4000K <b>CW</b> - 6500K <b>RGB+W</b> - Red/Green/Blue/White*	<b>10</b> - 10° <b>25</b> - 25° <b>38</b> - 38°	<b>15</b> - 15' <b>25</b> - 25' <b>50</b> - 50' <b>75</b> - 75' <b>100</b> - 100'	<b>DMX4</b> - 4 Channel DMX512 Decoder for RGB+W <b>PS18CC</b> - 18W Constant Current Power Supply <b>PKG</b> - DMX4 and PS18CC* <b>RF</b> - RF Controller & Handheld Remote with Power Supply	<b>1023WH</b> - Threaded White Housing <b>1023BL</b> - Threaded Black Housing <b>DE3</b> - STICK-DE3 DMX Wall Controller

\* When ordering RGB+W LED you must have a DMX4 & PS18CC (PKG)