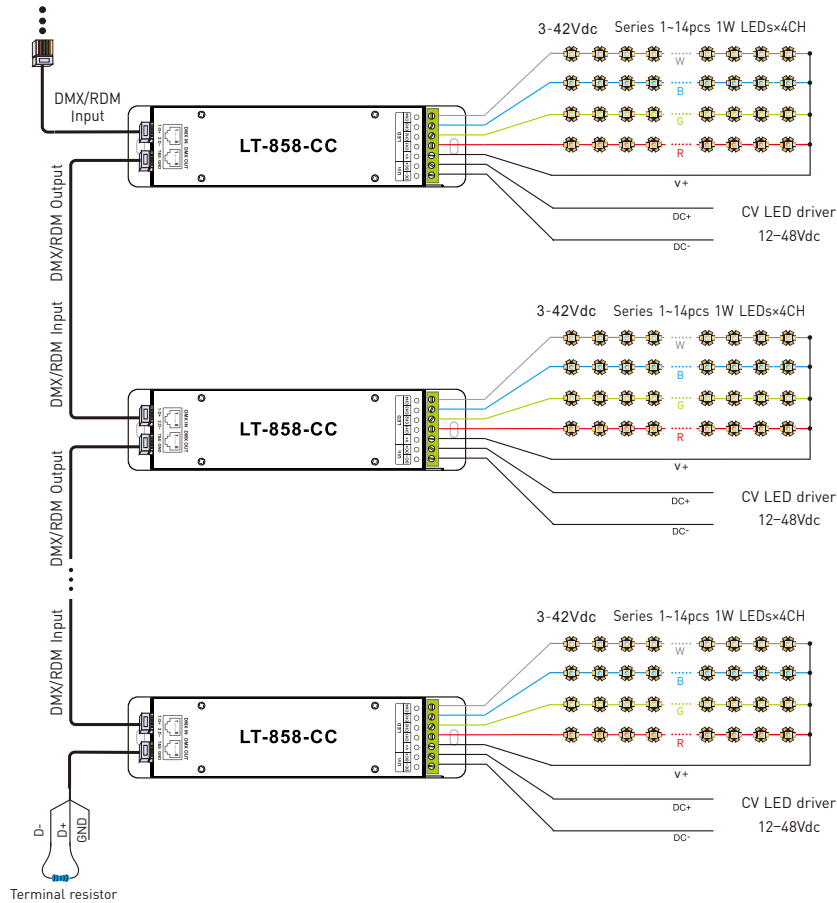
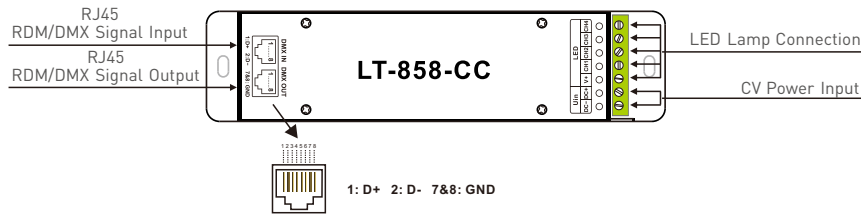


5. Wiring Diagram



- * If the recoil effect occurs because of longer signal line or bad line quality, please try to connect 0.25W 90-120Ω terminal resistor at the end of each line.
- * An amplifier is needed when more than 32 decoders are connected, signal amplification should not be more than 5 times continuously.

6. Attentions

- 6.1 Products shall be installed by qualified professionals.
- 6.2 Impact Lighting Inc. products are non-waterproof (special models excepted). Please avoid the sun and rain. When installed outdoors, please ensure it is mounted in a water proof enclosure.
- 6.3 Good heat dissipation will extend the working life of products. Please ensure good ventilation.
- 6.4 Please check if the working voltage used complies with the parameter requirements of products.
- 6.5 The diameter of wire used must be able to load the light fixtures you connect and ensure the firm wiring.
- 6.6 Before you power on products, please make sure all the wiring is correct in case of incorrect connection that causes damage to light fixtures.
- 6.7 If a fault occurs, please do not attempt to fix products by yourself. If you have any question, please contact your suppliers.

* This manual is subject to changes without further notice. Product functions depend on the goods. Please feel free to contact our official distributors if you have any question.

7. Warranty Agreement

- Warranty periods from the date of delivery : 5 years.
- Free repair or replacement services for quality problems are provided within warranty periods.
- 7.1 Warranty exclusions below:
 - Beyond warranty periods.
 - Any artificial damage caused by high voltage, overload, or improper operations.
 - Products with severe physical damage.
 - Damage caused by natural disasters and force majeure.
 - Warranty labels and barcodes have been damaged.
 - No any contract signed by Impact Lighting Inc..
- 7.2 Repair or replacement provided is the only remedy for customers. Impact Lighting Inc. is not liable for any incidental or consequential damage unless it is within the law.
- 7.3 Impact Lighting Inc. has the right to amend or adjust the terms of this warranty, and release in written form shall prevail.