

SPECIFICATION

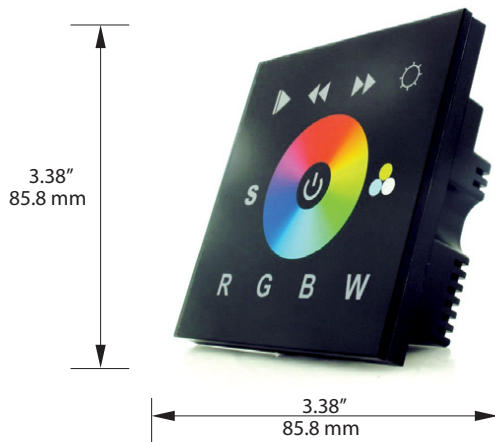
DMX-RGB-2811

PROJECT	DATE
TYPE	QTY



TOUCH SENSITIVE INTELLIGENT CONTROL KEYPAD

INTELLIGENT SERIES



ES-DMX-RGB-2811

DESCRIPTION:

EP-DMX-RGB-2811 DMX full touch panel wall switch is DMX signal output to connect DMX decoders. It is of high sensitive glass touch panel, comes in black or white. Suitable for any RGB or RGBW LED lighting application projects for home, theaters, clubs, restaurants, etc.

Can be used with 12/24V LED lights such as LED strip light, LED underwater lights and LED in-ground lights via RGB-DMX Decoder series (sold separately).

SPECIFICATIONS:

- 12-24V DC
- DMX512 signal
- 3.38in x 3.38in x 1.37in

FEATURES:

- 12V/24V DC DMX controller
- DMX512 signal & PWM 1-10V are available.
- High sensitive glass touch panel touch color wheel, fast & precise color control.
- Controls RGBW or RGBY, 4 colors that achieve more selectable colors than traditional RGB control.
- 10 changing modes. Enable to stay at any color under situation of color changing modes.
- Adjustable changing speed with 8 levels, quickest speed is 4 S, slowest speed is 256 S.
- To adjust brightness of each color independently that can achieve millions of changing colors.
- Standard DMX signal output that is compatible with DMX512 decoders from different manufacturers.
- Suitable for standard 85mm x 85mm back-boxes (not included). Easily mounted on wall.

ORDERING

MODEL

DMX-RGB-2811

Stand alone
wall-mounted
DMX controller

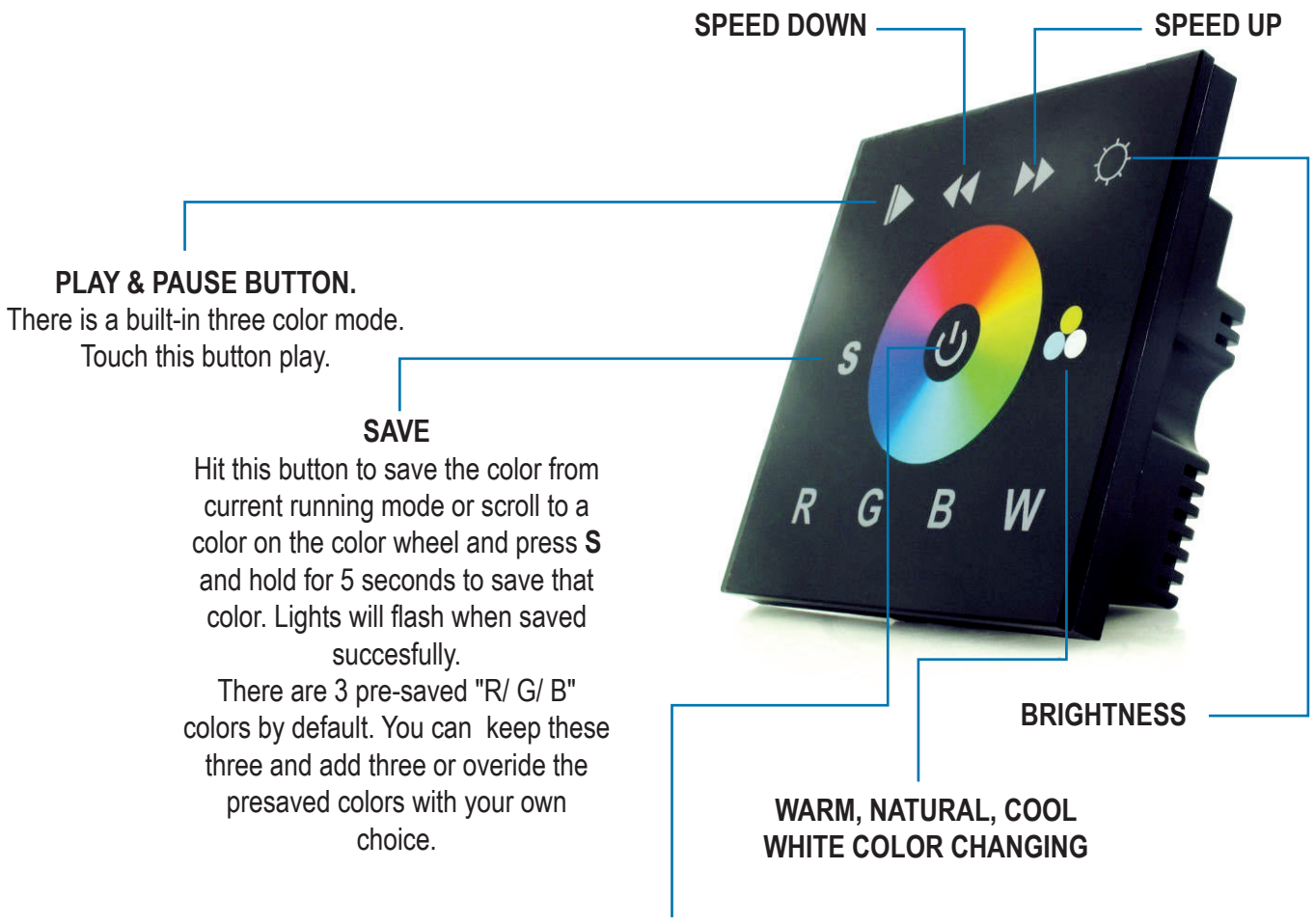




DMX-RGB-2811 DMX full touch panel wall switch with DMX signal output to connect DMX decoders. Made of high sensitive glass touch panel and comes in black or white. Suitable for any RGB or RGBW LED lighting application projects for home, theaters, clubs, restaurants, etc.

Can be used with 12/24V LED lights such as LED strip light, LED underwater lights & LED in-ground lights via RGB-DMX Decoder series (sold separately).

Operating Instructions:



PLAY & PAUSE BUTTON.

There is a built-in three color mode.
Touch this button play.

SAVE

Hit this button to save the color from current running mode or scroll to a color on the color wheel and press **S** and hold for 5 seconds to save that color. Lights will flash when saved successfully.
There are 3 pre-saved "R/ G/ B" colors by default. You can keep these three and add three or override the presaved colors with your own choice.

POWER

Short Press On - Short Press Off
Long Press resets to default setting

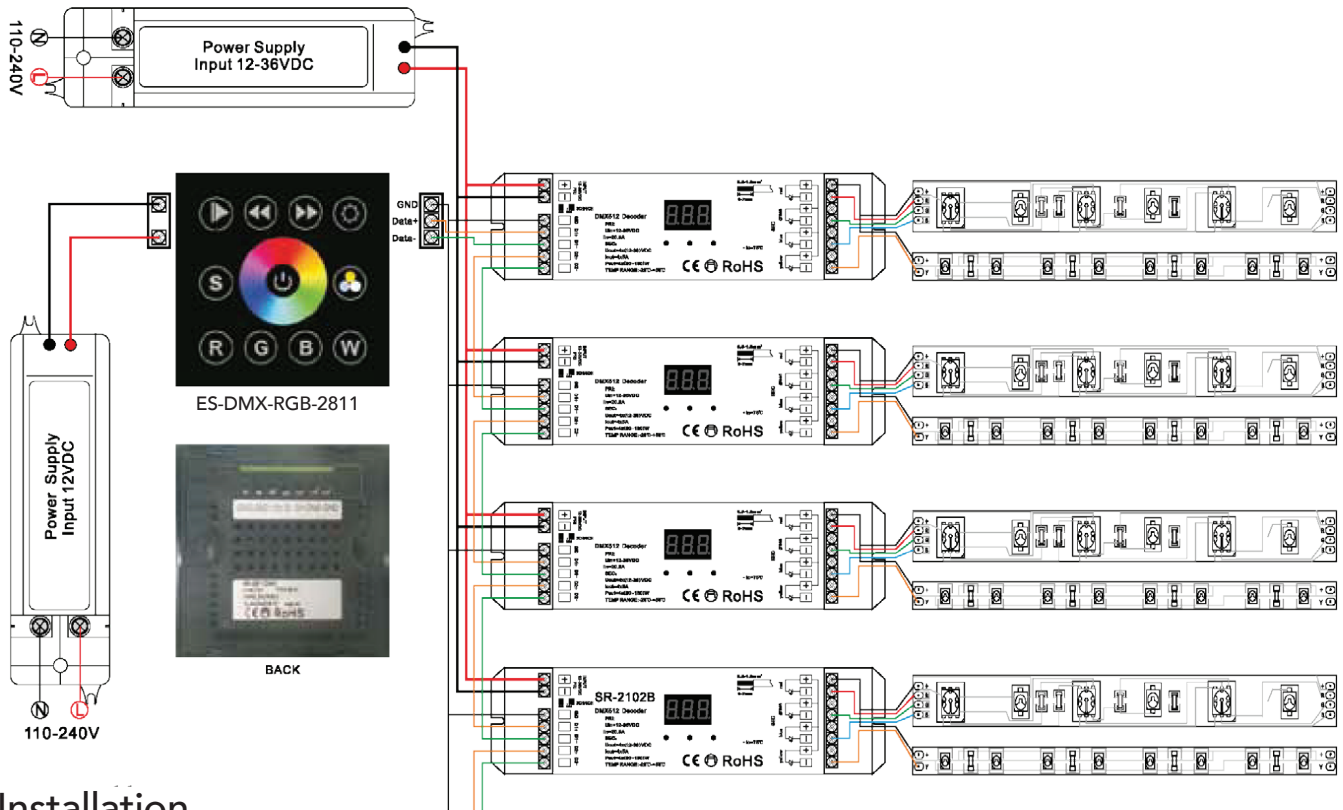


Short press means switch on and off for each channel.
1st Long press means brightness+,
2nd Long press means brightless -.

At the corner of the panel there is a signal light,
Blue means on, Red means off

ES-DMX-RGB-2811
can send data from 1 to 40.
Data 1 is R channel.
Data 2 is G channel.
Data 3 is the B channel.
Data 4 is the W channel.
All this DMX decoder needs
4 address as a group:
such as 1-4, 5-8, 9-12, 13-16, 17-20,
21-24, 25-28, 29-32, 33-36, 37-40.





Installation

