

Power and Endurance

Lighting made to enhance your outdoor oasis requires a powerhouse fixture that will stand the test of time. Rugged and refined, the UX-50 answers your needs.

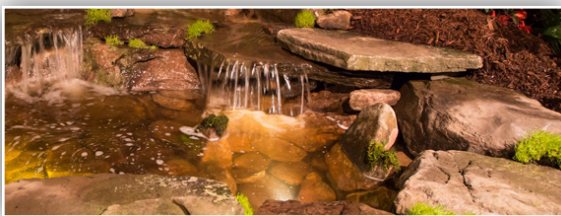


UX-50-P
Stainless Steel Fountain Light Fixture

The **UX-50-P** is perfect for wet architectural settings such as grotto and landscape lighting. This sleek stainless steel LED Underwater Fixture has an IP68 rating designed and engineered for outdoor and underwater use. A compact powerhouse with a range of 45 to 90+ lumens per Watt.



When lights matter, look to Impact to lead the way.



- ▶ No visible LED Spots
- ▶ IP68
- ▶ 316 Stainless Steel
- ▶ Optional Beam Angles
- ▶ 10mm Tempered Glass Lens
- ▶ 10W CREE LED
- ▶ 4 LED Color Options
- ▶ High Efficiency

IMPACT LIGHTING

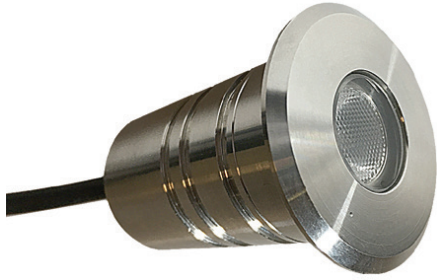
2814 Silver Star RD., Suite B, Orlando, Florida 32808 USA • Ph. 1.800.507.5714 • Email: sales@impactlightinginc.com

www.impactlightinginc.com



PROJECT	DATE
TYPE	QTY

IP 68 UNDERWATER LED STAINLESS STEEL FIXTURE



UX-50-P



DESCRIPTION:

The **UX-50-P** Stainless Steel LED Underwater Fixture perfect for grotto and landscape lighting features a rugged 316 stainless steel housing with a 10mm thick tempered glass lens over a powerful 10W CREE high lumen output, high efficacy LED and is available in warm white, neutral white, cool white and RGB+W configurations.

With an IP68 rating the UX-50-P is designed and engineered for outdoor and underwater use. This compact fixture is a powerhouse with a range of 45 to 90+ lumens per Watt.

FEATURES:

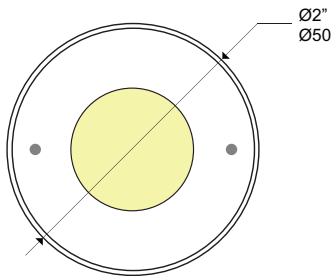
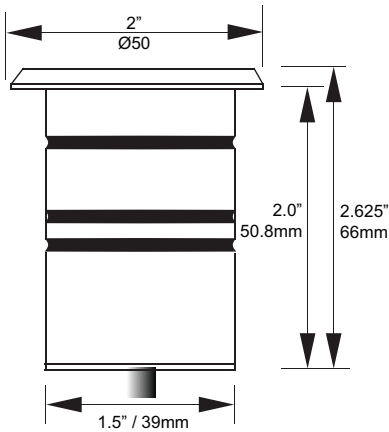
- No Visible LED Spots
- IP68
- 316 Stainless Steel
- 10mm tempered glass lens
- 110W CREE LED
- 4 LED color option



BACK VIEW

SPECIFICATIONS

Material	316 Stainless Steel
Cover	Tempered Glass (T=10mm)
IP Rating	IP68
Typical Power Consumption	10W
Input Voltage	350mA/700mA
Control	DMX512 / ON/ OFF
DMX Channel	4CHS (RGBW) @ DMX512 Control
Light Source	CREE
LED Chip Range	XP-E/XM-L High Lumen Output, High Efficacy
LED Quantity	1PCS
Color/CCT	3000K / 4000K / 6500K / RGBW
CRI	Ra ≥ 80
Lifespan	50,000 hrs.
Beam Angle	25°
Product Size	Ø2" x 1.5" x 1.9" h Ø50mm 39mm 49mm
Weight	0.9LBS / 0.41KG
Environment Parameter	Work Temperature -25°~45°
Storage Humidity	0~90°



PHOTOMETRICS

LED	TYPICAL LIGHT EFFICIENCY
3000K	>55LM/W
4000K	>65LM/W
6000K	>90LM/W
RGBW	>45LM/W

ORDERING

MODEL	LED	BEAM ANGLE	CORD LENGTH	CONTROLLERS	ACCESSORIES
UX-50-P					
12VDC - 10W LED Underwater Fixture for Grotto & Landscape	WW - 3000K NW - 4000K CW - 6500K RGB+W - Red/ Green/Blue/White	10 - 10° 25 - 25° 38 - 38°	15 - 15' 25 - 25' 50 - 50' 75 - 75' 100 - 100'	DMX4 - 4 Channel DMX512 Decoder for RGB+W PS18CC - 18W Constant Current Power Supply PKG - DMX4 and PS18CC RF - RF Controller & Handheld Remote with Power Supply	DE3 - STICK-DE3 DMX Wall Controller

*** When ordering RGB+W LED you must have a DMX4 & PS18CC (PKG)**

