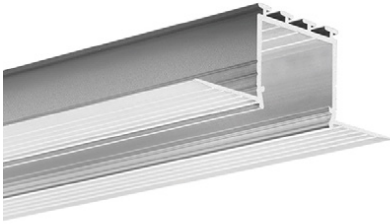


PROJECT	DATE
TYPE	QTY.

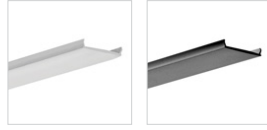
ARCHITECTURAL LINEAR SERIES



XTRU-5552
(raw aluminum shown
black finish available)



mounting clip



frosted cover black opal cover

XTRU-5552 LED Profile is a small durable fixture designed for unique applications with designers and architects in mind.

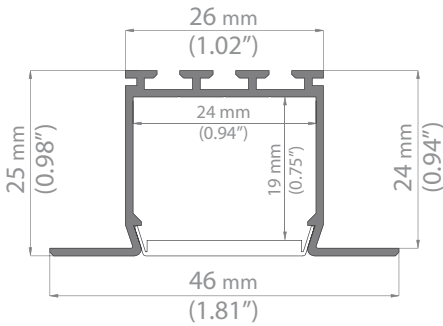
This versatile IP67* profile is suitable for custom recessed installation in walls and ceilings. This high quality profile offers an unique way to make use of linear low voltage lighting and is the designer's choice for commercial and residential LED strip lighting.

The XTRU-5552 mounting channel utilizes LED tape light and is easily placed on horizontal or vertical surfaces allowing you to create your own custom LED low voltage lighting scheme.

FEATURES

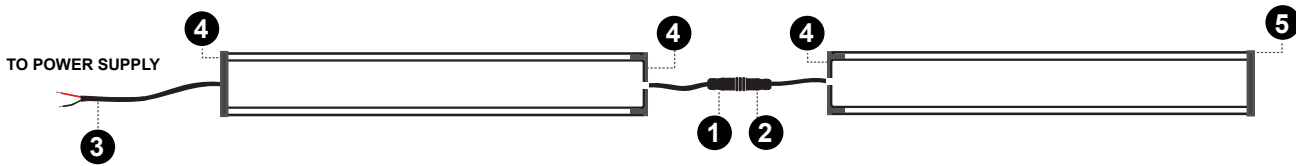
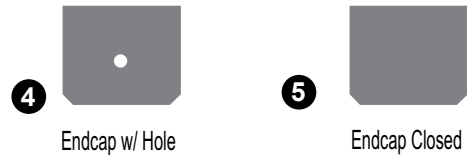
- IP65 rating after install
- concealable flange
- easy install mounting clips
- black and anodized aluminum available
- frosted and black opal cover options
- endcaps included

*IP67 relies on proper sealing on install.



- 1** MALE CONNECTOR
- 2** FEMALE CONNECTOR
- 3** NO CONNECTOR

ENDCAPS



ORDERING

Example:

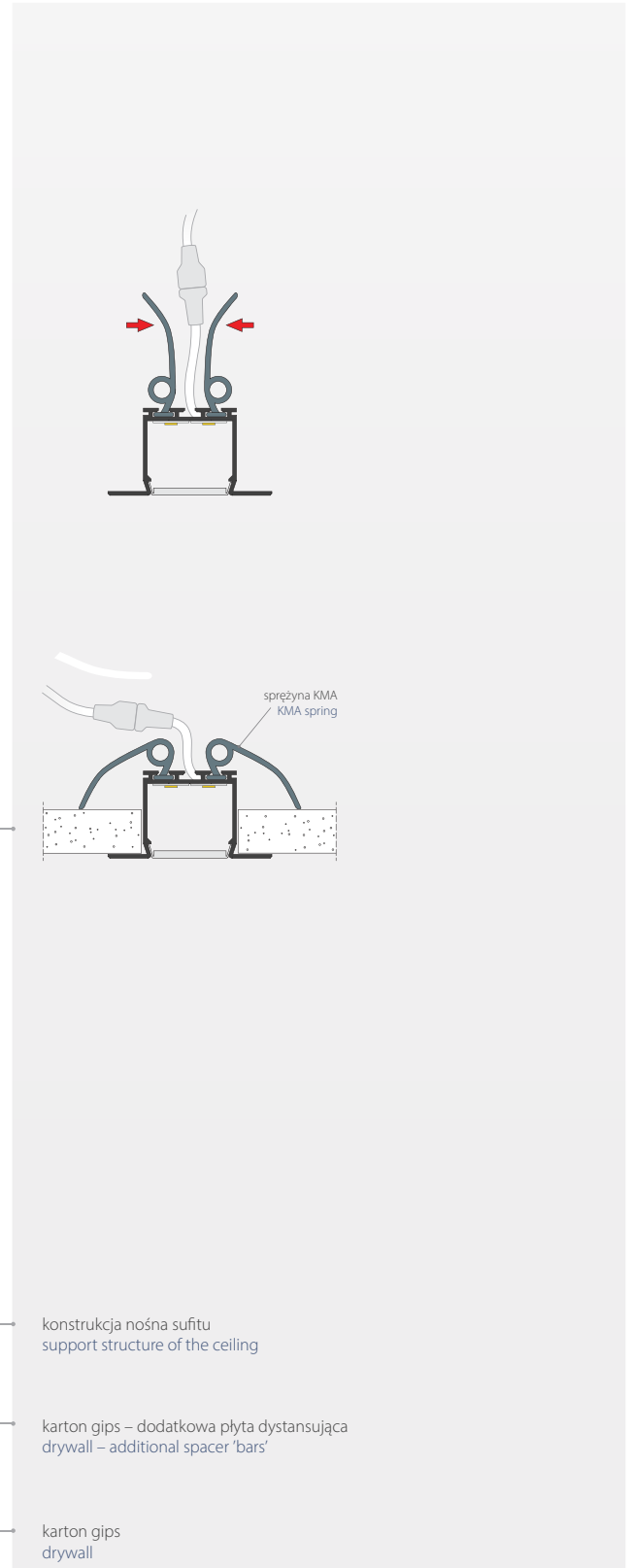
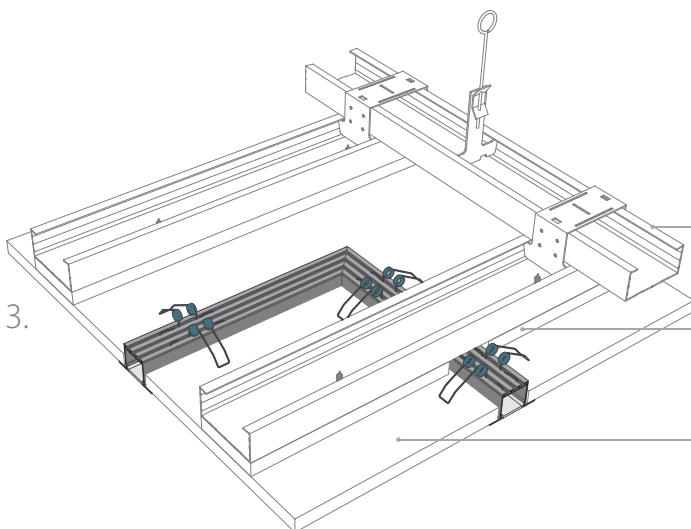
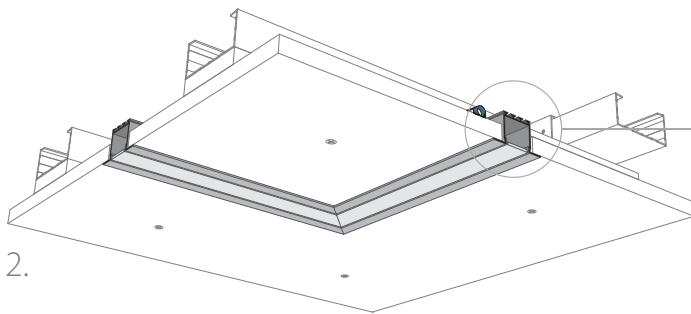
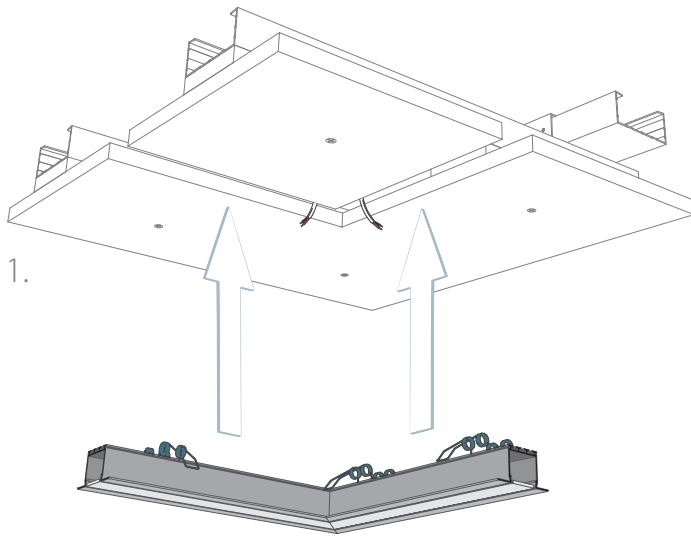
XTRU-5552- 48"- NA - F - CW - R - 48 - C

XTRU-5552 Profile, 48" Cut Length, Non-Anodized Aluminum Finish, Frosted Cover w/ Cool White LED, Right Facing Lead Wire, 12" Wire Length, Closed End Cap

MODEL	CUT LENGTH	HOUSING FINISH	COVER	LED COLOR	LEAD WIRE LOCATION	LEAD WIRE LENGTH	END CAP
XTRU-5552							
Aluminum LED Lighted Profile	Write desired length above	NA- Non-Anodized BA- Black Anodized	F - Frosted BO - Black Opal	WW - Warm White CW - Cool White NW - Neutral White RGB - Red, Green, Blue	R - Right Facing L - Left Facing B - Left & Right* (daisy chain)	Write Desired Length Above	C - Closed H - Hole



PROJECT	DATE
TYPE	QTY.



V. 0324 | Copyright © 2024, Impact Lighting Inc. All Rights Reserved

