

Rotary Dual Color LED Controller

Model #: IL-WWCW-KC



Description:

Rotary dual color LED controller IL-WWCW-KC is a RF wall mounted control with switch, color temperature and brightness adjustment functions for dual color (warm white and cool white) LEDs. The rotary dimmer controller features accurate and smooth color temperature adjustment as well as dim your lights from 0.1% to 100% without any flickering. Double clicking the rotary knob enables the controller to switch from brightness dimming to color temperature adjustment. Each controller can control 1 zone with endless receivers. Available in standard Europe size and US size as well, the dimmer can be suitable for electric wall boxes from different areas.

Key Features:

RF wall mounted control with switch, color temperature and brightness adjustment functions for dual color (warm white and cold white) LEDs.

Reliable and stable switch and dimming control function, control range up to 20M.

Battery in the remote is with long life span. It normally can use for 5 years.

Switch on/off of lighting slowly, without any flash, meet the comfort of human eyes.

Dimming range 0.1-100%.

Double clicking the rotary knob enables the controller to switch from brightness dimming to color temperature adjustment.

Receivers can work with power repeater to expand the output power unlimitedly.

Enable to control 1 zones separately, each zone can be set endless receivers, each receiver maximally be controlled by 8 different remotes.

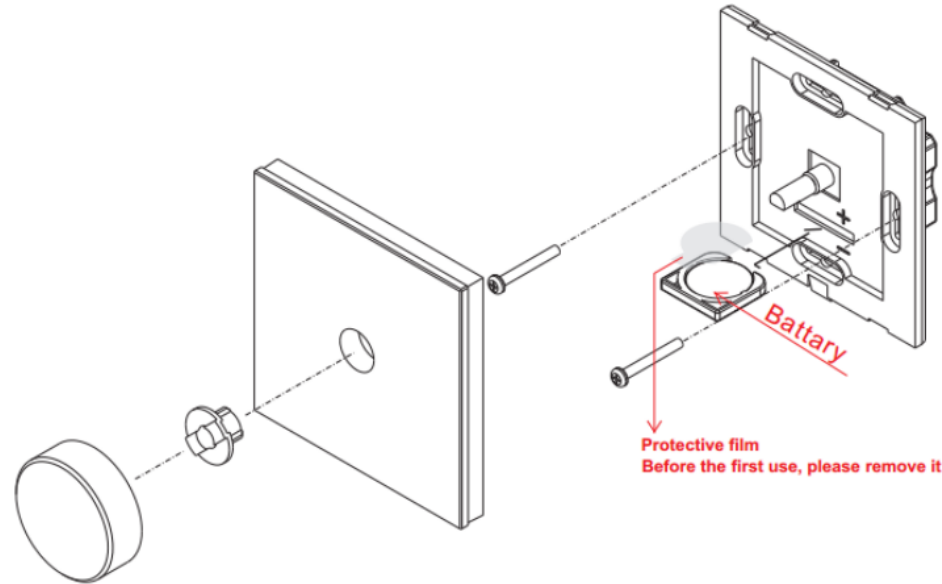
Specifications:

Output Signal	RF signal
Power Supply	3V(CR2032)
Power consumption	10 mA
Operating temperature	0-40°C
Relative humidity	8% to 80%
Dimensions	75x120x41.6mm

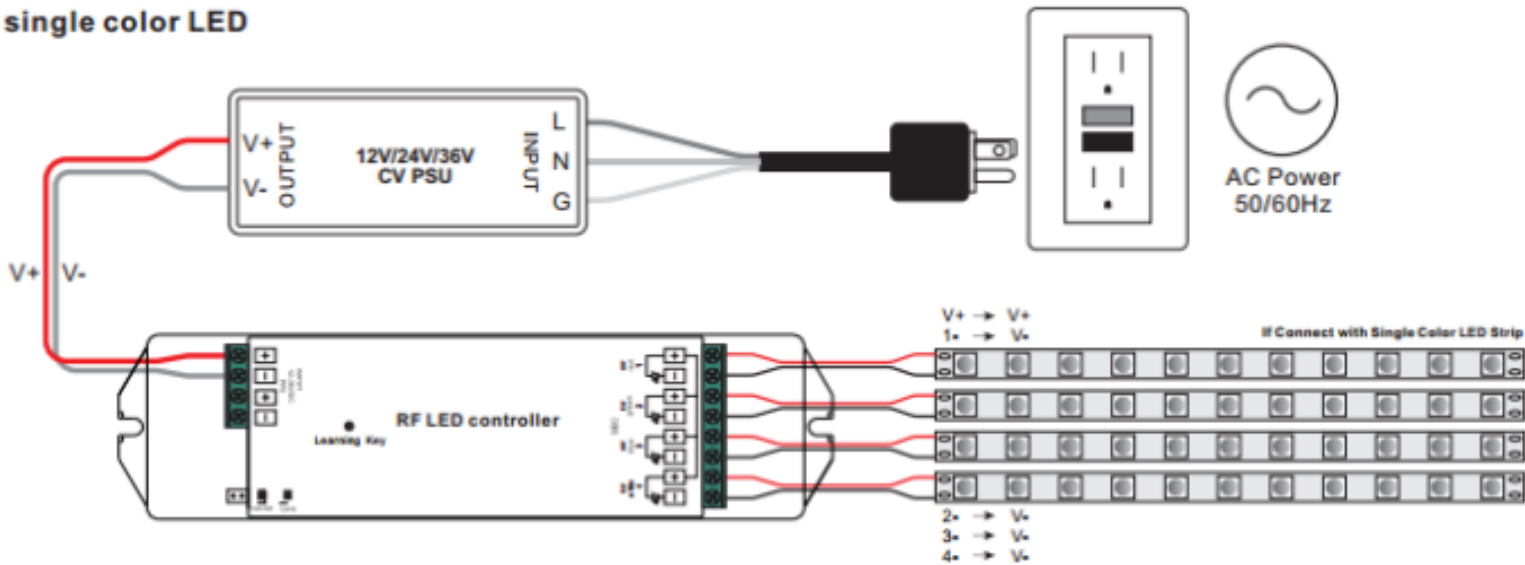
Rotary Dual Color LED Controller

Model #: IL-WWCW-KC

Installation:



With single color LED



Specification

Rotary Dual Color LED Controller

Model #: IL-WWCW-KC

Pair with RF receiver



Step 1: Do wiring the wall panel & RF receiver according to wiring diagram (please refer to the instruction of RF receiver that you would like to pair with)



Step 2: Click the “**Learning Key**” button on RF receiver or re-power on the receiver three times continuously to set it into pairing status

Step 3: Rotate or click the knob, LED lights connected with the RF receiver flicker once means the receiver is paired with the remote successfully.

Note: one receiver can be paired with max 8 remote controls.